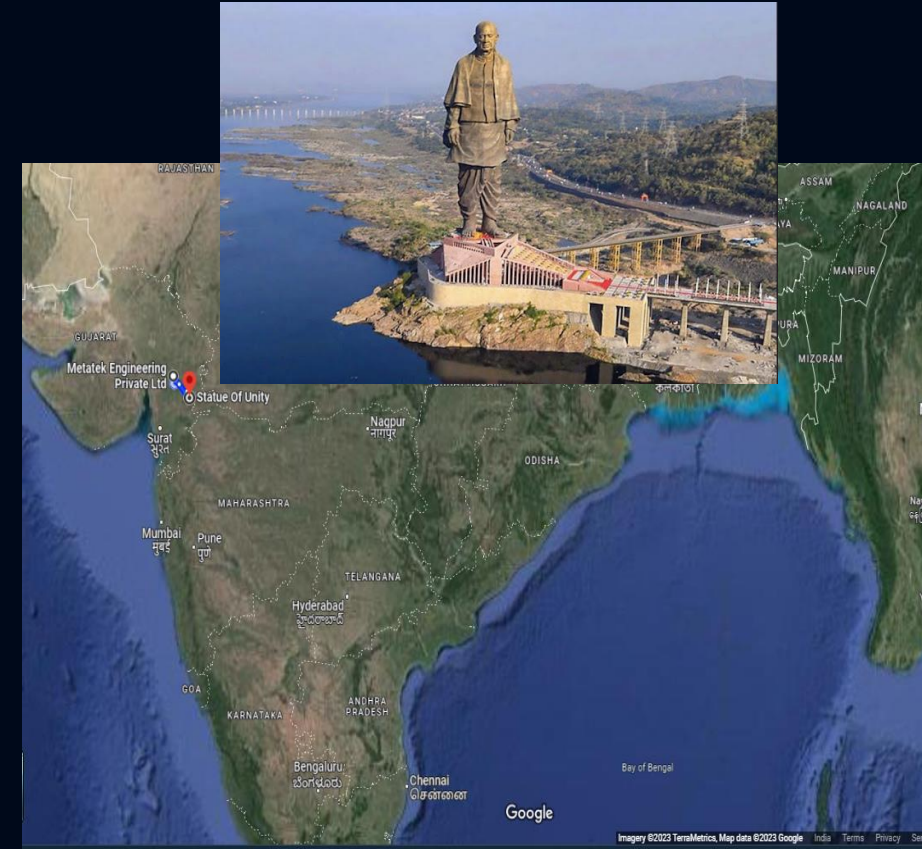
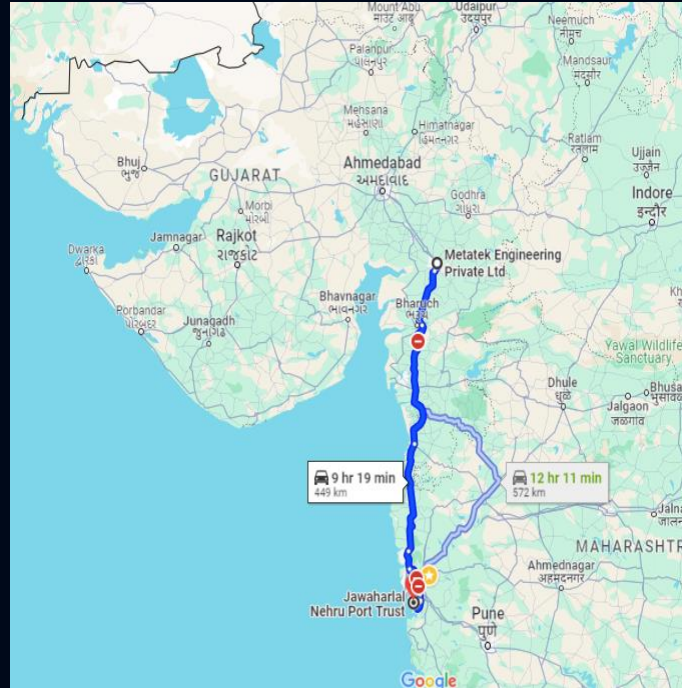




METATEK ENGINEERING PVT. LTD.



JNPT Mumbai Port within 450km

Statue of Unity within 90km

METATEK ENGINEERING PVT. LTD.

C-45 Road No. 4, Sardar Estate, Ajwa Road, Vadodara -390019, Gujarat, India

Mobile: +91 93281 78142 E-Mail: rahul.nalawade@metatekeng.com



Mr. Rohit Shah, Chairman Emeritus : Founder and our Guiding Force

Mr. Rutvij Shah, Director



Mrs. Charmi Shah, Director



Mr. Tanmoy Adhikari, CEO



Bearing & Engineering
Division



Projects Division



Metatek Engineering, Bearing & Engineering Division

is a pioneer amongst Indian companies in manufacturing & re-conditioning of White Metal lined Bearings, Journal pads, Thrust Pads and Allied engineering products. At the core of our manufacturing is our years of research and experience in understanding application of White Metal Alloy to **Motion Engineering**.

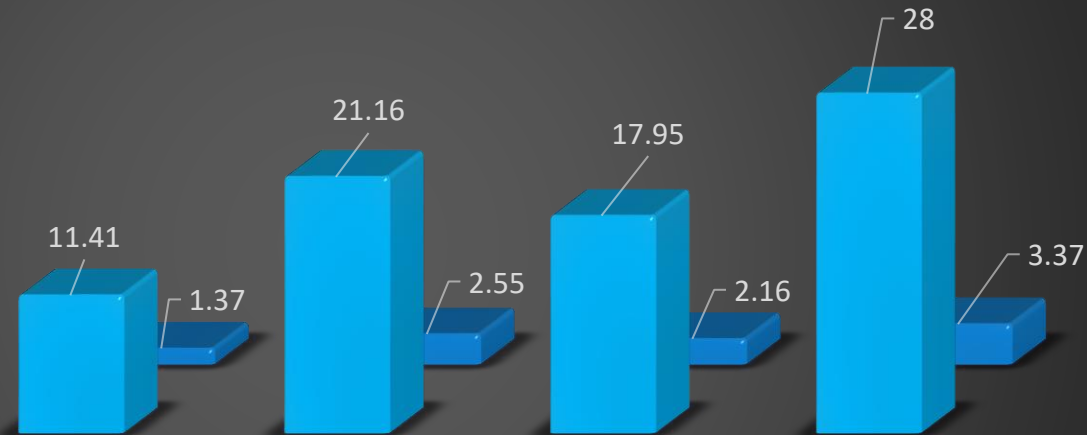
Our Vision

At Metatek we constantly endeavor to deliver best in class products to our customers on a sustainable basis while keeping all our stakeholders happy through our fair and honest actions.

Metatek Strengths

- 1 Year warranty on products manufactured.
- Prompt and Transparent communication.
- Experience of supplying to Diverse applications and Industries.

Sales



	FY 2021-2022	FY 2022-2023	till date FY 2023-24	estimated FY 2023-24
■ Sales, ₹ Crore	11.41	21.16	17.95	28
■ Sales, \$ million	1.37	2.55	2.16	3.37



Product Applications

MOTORS Similar to pumps make use of the entries range of bearings. This is due to the fact that pumps and motors are often matched together as a motor/pump set.

TURBINES Depending on size, gas and steam turbines normally use tilting pad journal and thrust bearings, sometimes in combined assemblies. Directed lubrication is usually use to minimize power losses, oil flows, and to reduce pad surface temperature. Gas turbine thrust bearings are high-speed and high-load.

PUMPS Pumps are built in a wide variety of sizes and types, from nuclear primary to electric submersible. As a result, they may require the whole range of Bearings.

GENERATORS Depending on size and orientation use the range of Bearings products as internal bearings or complete assemblies with a housing. With steady weight loading and modest synchronous speeds, generators tend to use the conventional material combination of babbitt.

GEARBOXES Low speed shafts of gearboxes normally use fixed profile journal bearing often with simple cylindrical bores; and high-speed shafts use either multi box fixed profile or, increasingly, tilting pad journal bearings. Very high-speed applications can require special material combination, hence utilize directed lubrication to reduce pad surface temperatures to improve efficiency

COMPRESSORS High-speed compressors can be very demanding and use journal bearings due to their dynamic properties; 4 or 5 tilting pad journal bearings are commonly used. Thrust bearings are normally the tilting pad type with directed lubrication to minimize power losses.



Products Manufactured

- Turbine Bearings
 - ID, FD ,BFP, MOP Bearings
 - Hydrogen seal Rings
 - Generator Bearings
 - Thrust pads
 - Journal pads
 - L.B.C Pickings
- Low Metaling Alloys
 - Journal Cum Thrust Bearings
 - Fusible Plugs
 - Piston Lining
 - Gasket Rings
 - Pitman Bearings
 - Machined parts

Manufacturing Processes



Forging



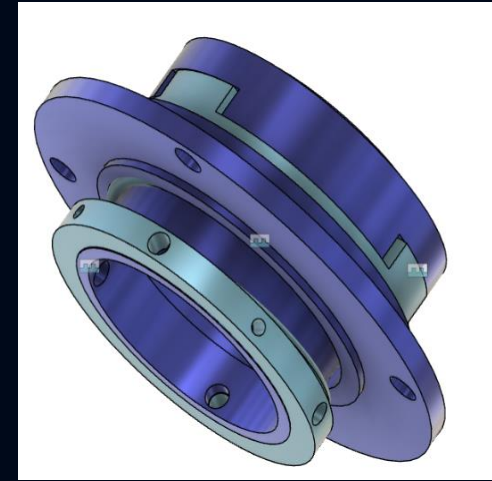
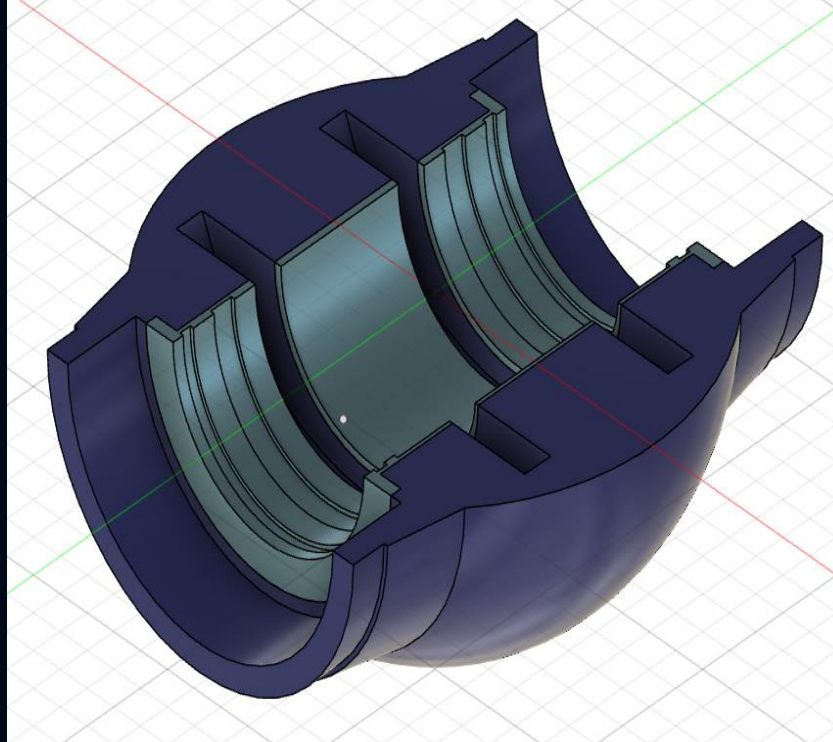
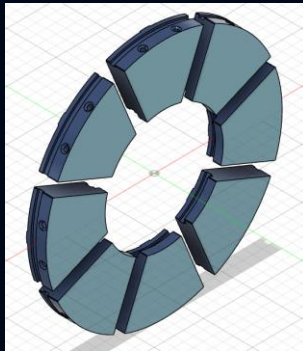
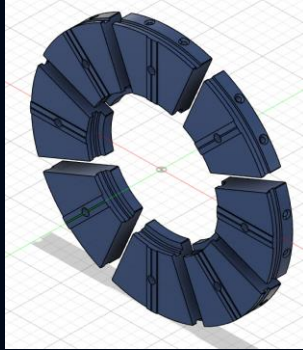
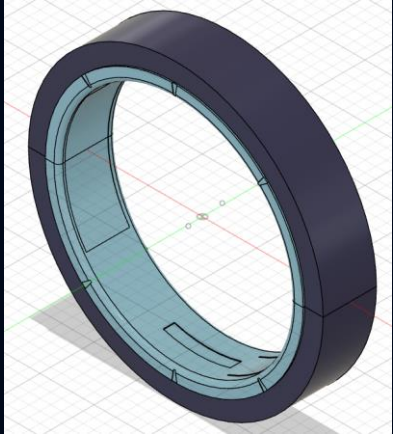
CNC Machining



Casting



Product Range



Bearings: We cater diameters up to 3000 mm of various geometries and weighing up to 5 tons

Mechanical Seals: All OEM variants

Manufacturing set up: @15000 sq ft



Heat Treatment Furnace 600 ° C
2600 X 2600 X 2000 MM



Babbitt Metal Melting Pot
550 kg, 400 kg



Centrifugal Babbiting Machine
2800 Kg



CNC Vertical Machining
Centre DMG Mori X600mm X
Y560mm X Z510mm



CNC VTL
750 Turning Dia. X 700 Length



Shot blasting

Manufacturing set up...continued



Lathe Machine
OD Ø400mm X L900mm



EOT Crane
7.5 MT



TIG Welding Machine



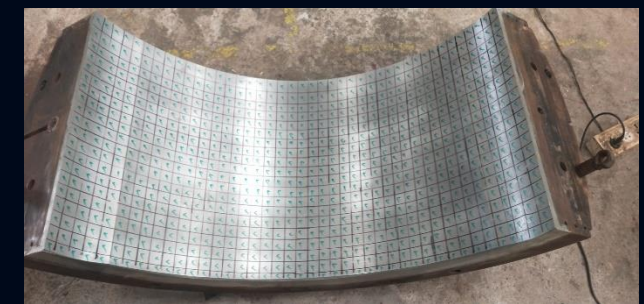
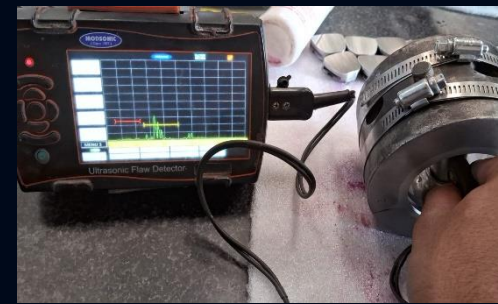
CNC VTL (Under Commissioning)
2500 mm Turning Dia



Double Colum Vertical Machining Center
(Under Commissioning) 7000 X 2500 X2000 MM



Die Penetrant Testing



Ultrasonic Testing



Dimensional checking

DNV

MANAGEMENT SYSTEM CERTIFICATE

Certificate no: 046436 Initial certification date: 20 October 2022 Valid: 20 October 2022 – 19 October 2025

This is to certify that the management system of **Metatek Engineering Pvt Ltd** C-45, Sardar Estate, Ajwa Road, Vadodara - 390019, Gujarat, India

has been found to conform to the Quality Management System standard: **ISO 9001:2015**

This certificate is valid for the following scope: **Manufacturing and refurbishment of babbit metal bearings, thrust pads and tilting pads**

Issued on: 20 October 2022 For the issuing office: DNV - Business Assurance, ROMA, No. 15, GTRoad, MandirCherra - 600 016, India

Management Representative

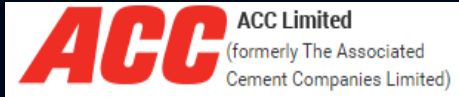
DNV is not liable for any errors or omissions in this certificate. Agreement may vary from the Certificate itself.

 ADDRESS: DNV Business Assurance S.V., Zeeburgweg 1, 3044 LA, Rotterdam, The Netherlands. TEL: +31 (0)20 293 2939. www.dnv.com/certificates

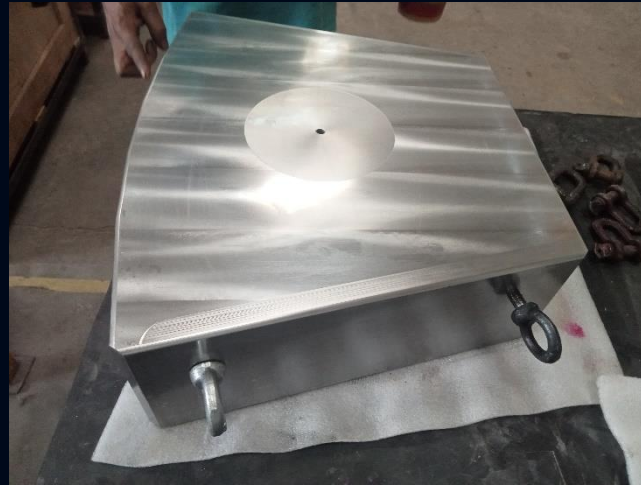


Customers

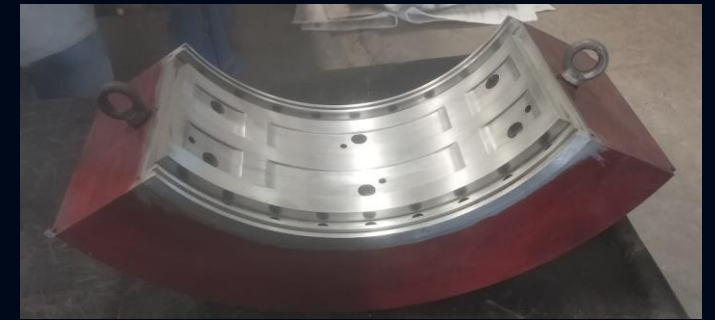
SIEMENS



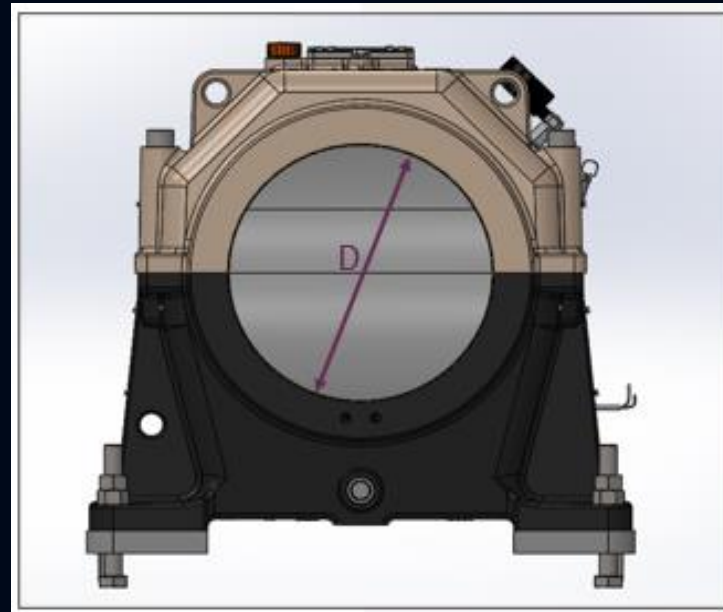
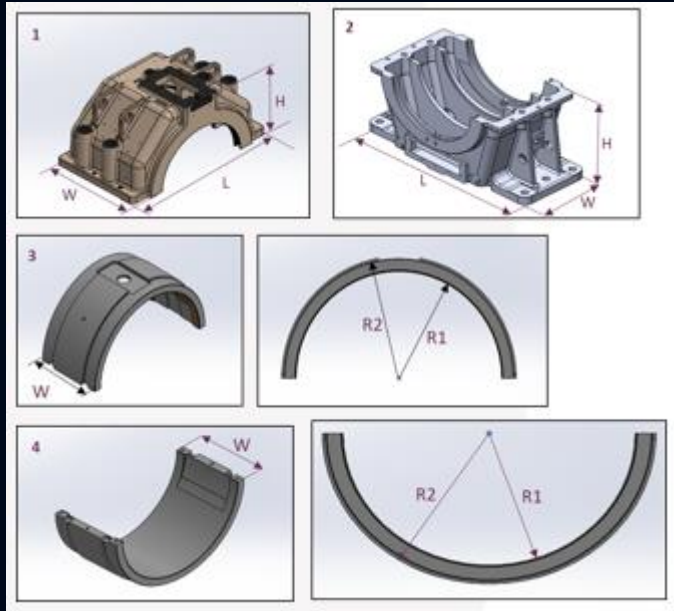
Key Products: Cement Industry



Key Products: Power Industry



Product Capability: Marine Industry: Intermediate shaft bearings, Stern tube bearings



Serial Number	Shaft Size range (D) (mm)
1	200
2	240
3	280
4	330
5	390
6	450
7	510
8	570
9	650
10	740
11	840
12	940
13	1040

Key Products: Exports



Trunnion Bearing (1.65 m ID)



Nozzle (Duplex Stainless Steel)



Ni Hard Elbow 0.48 m NB



Other Products: Metal, Pumps, Industrial Gearboxes, Marine, Defence, Chemicals and Fertilizers, Paper, Textiles, Cryogenic applications



Corporate Social Responsibility Monthly activities for Children & Women



Tuberculosis childcare centre, Nari
(Women) Sanrakshan Kendra



Thank you